

10G SFP+ Active Optical Cables

Description

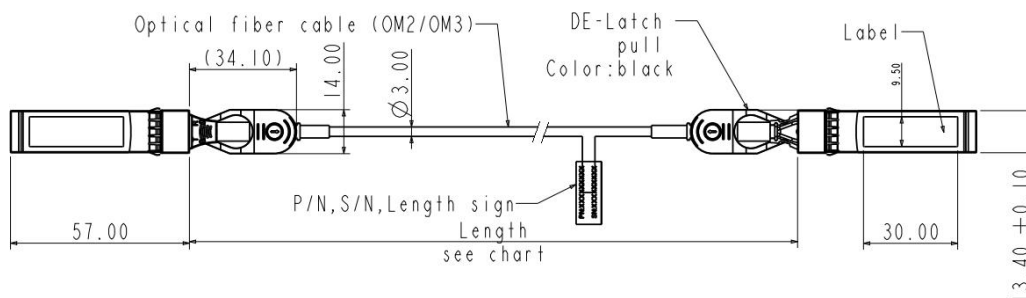
Transcom SFP+ Active Optical Cables are direct-attach fiber assemblies with SFP+ connectors. They are suitable for very short distances and offer a cost-effective way to connect within racks and across adjacent racks. Transcom SFP+ Active Optical Cables's length is up to 300 meters on OM3 MMF.

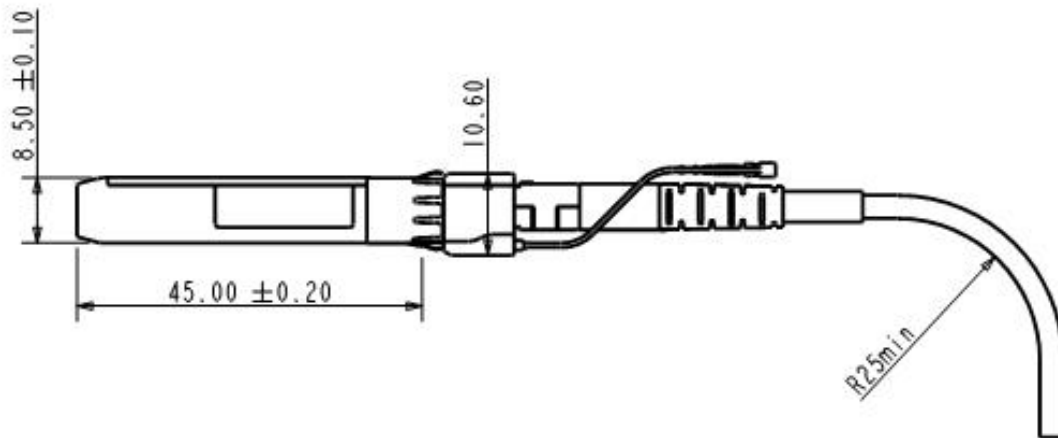
Feature

- Electrical interface compliant to SFF-8431
- Hot Pluggable
- 850nm VCSEL transmitter, PIN photo-detector receiver
- Up to 300m on OM3 MMF
- Operating case temperature: 0 to 70°C
- All-metal housing for superior EMI performance
- RoHS compliant (lead free)

Applications

- 10 Gigabit Ethernet
- 4G and 8G Fibre Channel Applications
- 1x InfiniBand QDR, DDR, SDR
- High-performance computing clusters
- Servers, switches, storage and host card adapters





SFP+ AOC Specifications

Parameter	Description
Protocols Supported	InfiniBand, Ethernet, Fiber Channel
Channel Data Rate	Rate 1 to 10.3125Gbps
BER	<10 ⁻¹²
Operating Case Temperature	0 to + 70°C
Storage Temperature	-20 to + 85°C
Supply Voltage	3.3V
Supply current	230mA per end typical